



Synthetic embossed 3D full parallax true color hologram with a simple illuminating device

For more info please visit <http://www.iqstructures.com/visual/IHMA2017RGB>

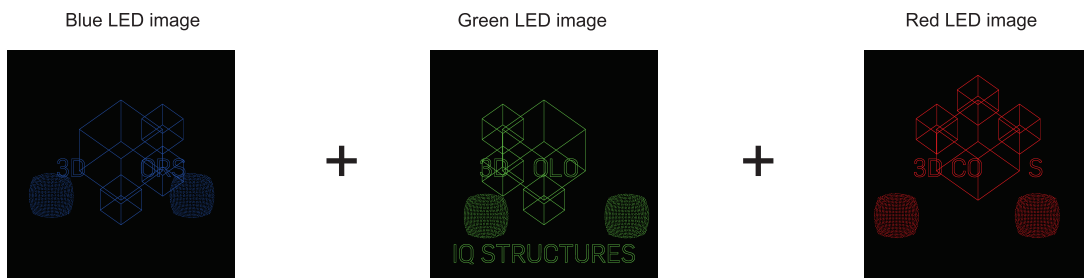
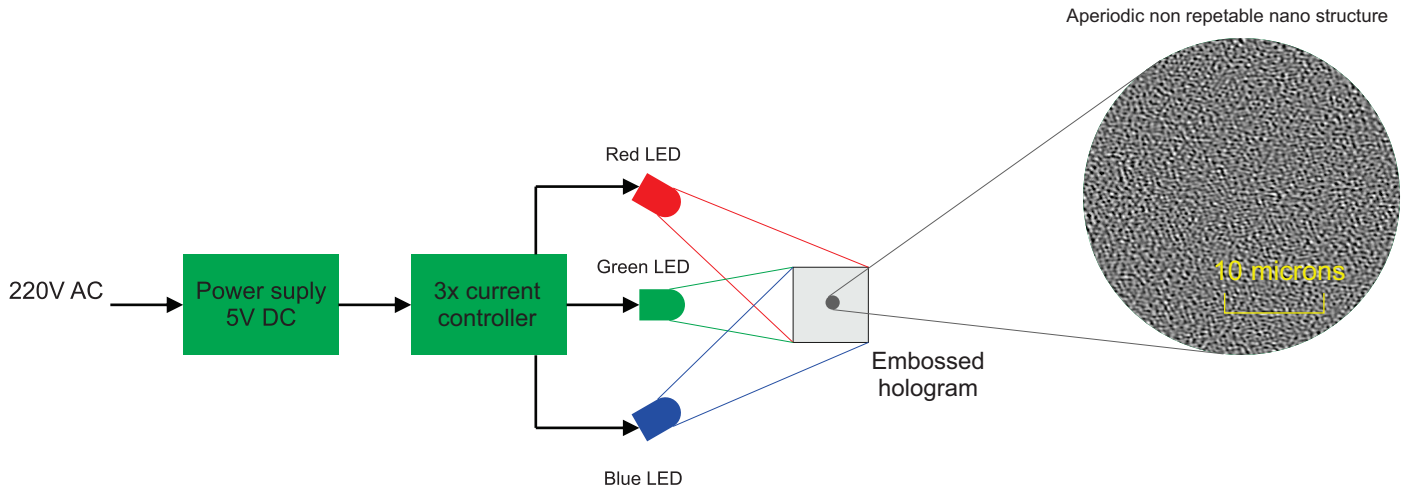


This holographic metode is possible to use for security purposes as level 1 or 2 security feature and for true color display holography as well. It is based at the fusion of three separate reference waves R, G, B, which illuminates the hologram from different angles. By special calculation we can generate microstructure of the embossed hologram witch behaves as a volume hologram. It means that colors are stable for wide range of angle of view in horisontall and vericall parallax.

It brings you behaviour of volume holograms by embossed holographic technique which is in mass production much cheaper than any kind of volume hologram. The structure is generated by calculation which brings you much more control and possibilities than optical approach. Origination is possible just at the e-beam lithography due to high density of diffraction gratings which brings you the highest security level. And what is more it brings you the sharpest 3D true color appearance independent of the view angle.



Diagrams



=

Composite image contains additional colors Yellow Cyan Magenta White

